

RENAULT TRAFIC PASSENGER VEHICLE



(Enter Renault's world at Sky Guide 883 and www.renault.tv)



Although every effort has been made to ensure that the information contained within this brochure is as accurate and up to date as possible, Renault U.K. reserves the right to modify its models without notice including their characteristics, specifications, equipment and accessories. Brochures inevitably become out of date or inaccurate in some respects, in that such characteristics, equipment, specifications or accessories may be changed after the publication date given below and can differ from the descriptions given. It is therefore necessary to check with your Renault dealer before purchasing any product that the characteristics, specifications, equipment or accessories of the vehicle on order are as advertised. Publication date November 2011.

CHARTERHOUSE, NOVEMBER 2011.
Renault U.K. Limited Customer Services, The Rivers Office Park, Denham Way, Maple Cross, Rickmansworth, Hertfordshire WD3 9YS. Tel: 0800 52 51 50.

RENAULT TRAFIC PASSENGER VEHICLE



DRIVE THE CHANGE



**TRAFIC PASSENGER VEHICLE
TRAVEL IN COMFORT,
ADAPTABLE, PRACTICAL AND ECONOMICAL.
THE NEW TRAFIC 9 SEATER...**



**AN IRRESISTIBLE INVITATION
TO GET UP AND GO.**





FLEXIBILITY IS SECOND NATURE

The Trafic Passenger Vehicle serves as a large people and goods carrier making it ideal for transporting your employees or clients in absolute comfort.

- Eight or nine seat versions available (nine as standard)

Trafic offers excellent versatility with numerous storage options and an adaptable loading area:

- Choose between two wheelbases
- Large and adaptable loading area: Up to 3.4 m³ with the bench seat folded





THE ART OF TRAVEL

The Trafic Passenger Vehicle gives you a comfortable journey with a complete suite of equipment. You can save time on journeys with the reliability of Carminat TomTom® Live navigation. The navigation remote control has its own storage space, there's a new A4 compartment on the dashboard to hold your documents, and central storage pockets make the most of all the free room available. Climate control guarantees everyone's comfort, the trip computer monitors your fuel consumption and the new range offers Bluetooth® technology and connectivity for your portable devices*.

* With the multi-functional TunePoint

Note: Some features may be optional depending on version



TRAFIC PASSENGER *Sport*



INTRODUCING THE MOST STYLISH VEHICLE EVER

With Trafic Passenger Sport, combine style, pleasure and practicality. Trafic Passenger Sport boasts all the functionality and look that have made Trafic a resounding business success. On top of that, we've added some 'sporty' extras, like alloy wheels, all round metallic paint and air conditioning.



SAFETY ON A GRAND SCALE

When it comes to safety, the Trafic Passenger Vehicle raises the bar. Now, cruise control adds to a whole group of safety devices in the range. It's activated from the dashboard for perfect ergonomics, and controls are easily reachable on the steering wheel. Being forewarned about everyday risks is the first link in a safety chain that uses the most innovative systems, such as automatic headlights and wipers. So in difficult situations, the Trafic Passenger Vehicle helps you to stay in control: ABS brakes coupled with EBD (Electronic Brake Distribution), and with the help of Brake Assist plus dynamic ESC (Electronic Stability Control) driving control help you keep on track at all times.

Finally, to protect driver and passengers, there are various airbags as standard or optional (driver airbag, passenger airbag and front curtain airbags). And that's not to mention top class safety belt systems, and ISOFIX fixings that secure the position of child seats.

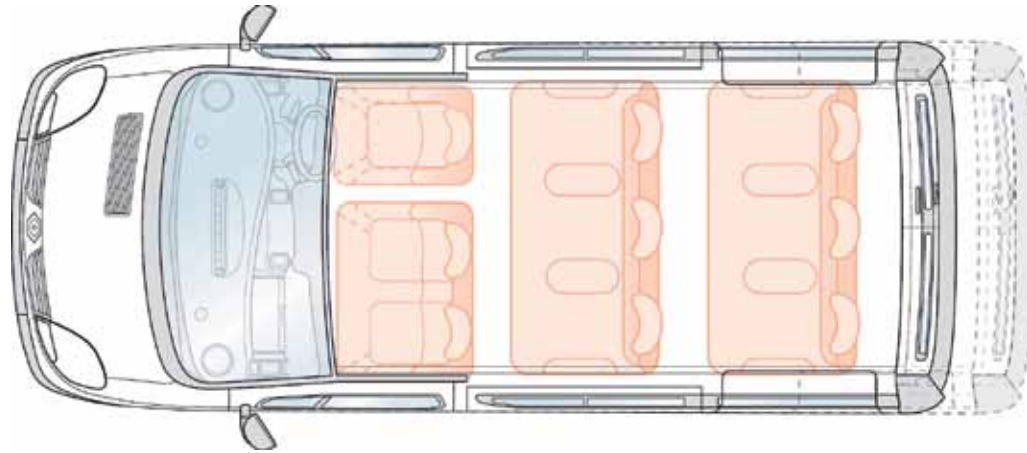
Note: Some equipment may be optional depending on version



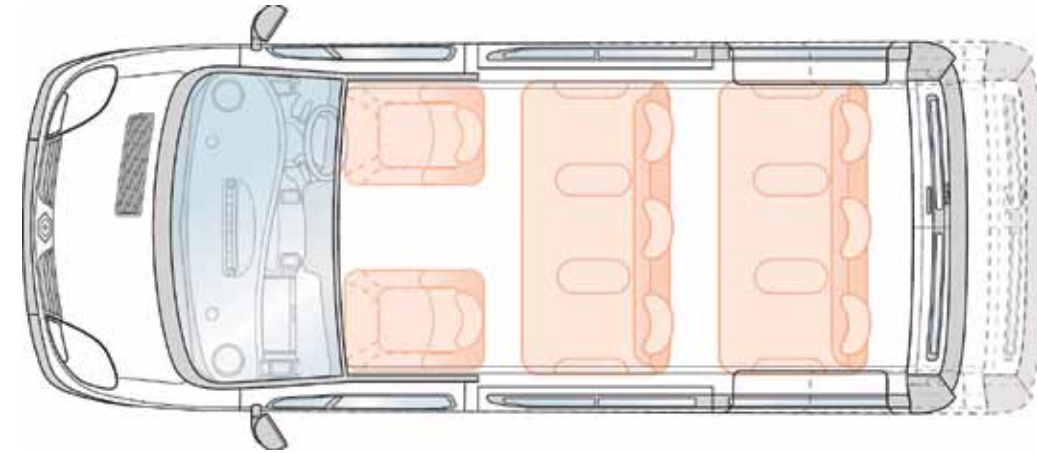
PASSENGER DIMENSIONS AND SEAT LAYOUTS

	Boot-to-parcel shelf volume (m ³)	Under-roof volume (m ³)	Under-roof volume with third row of seats folded (m ³)
Short wheelbase low roof 2.7t	0.7	1.2	2.5
Short wheelbase low roof 2.9t	0.7	1.2	2.5
Long wheelbase low roof 2.9t	1.1	2.2	3.4

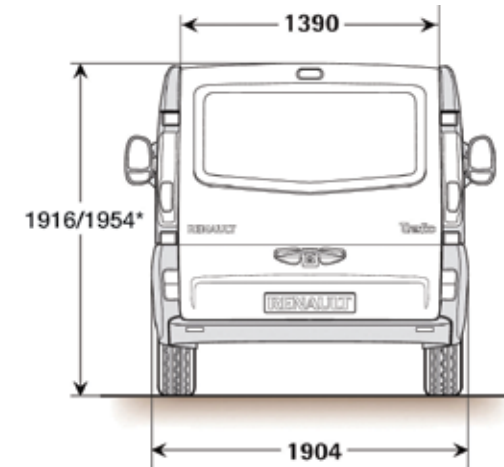
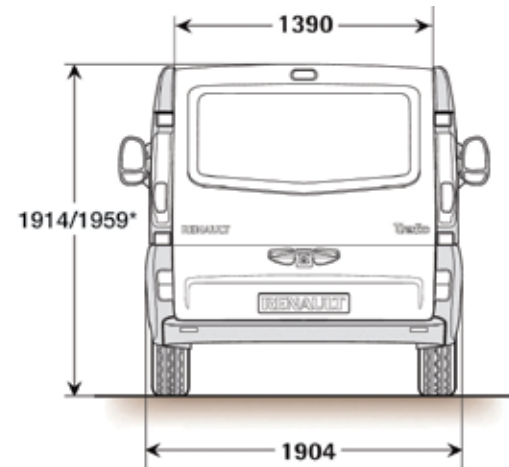
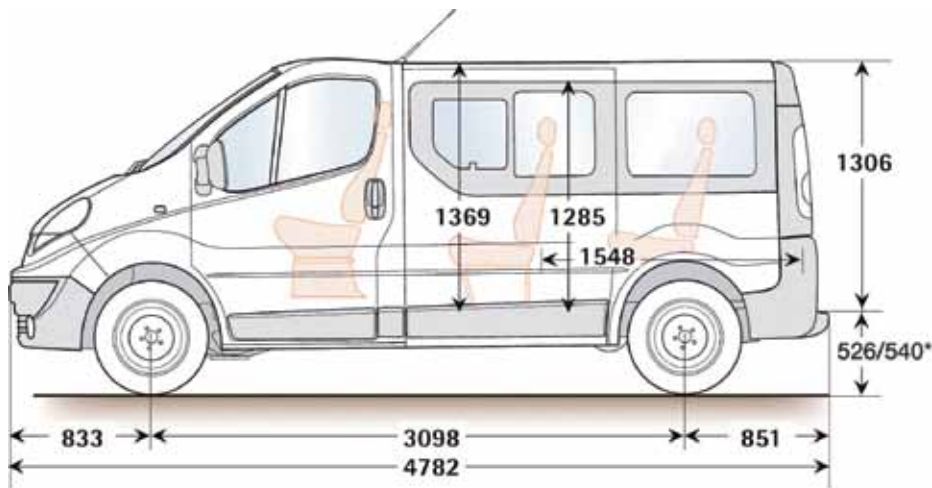
9 SEATS (STANDARD)



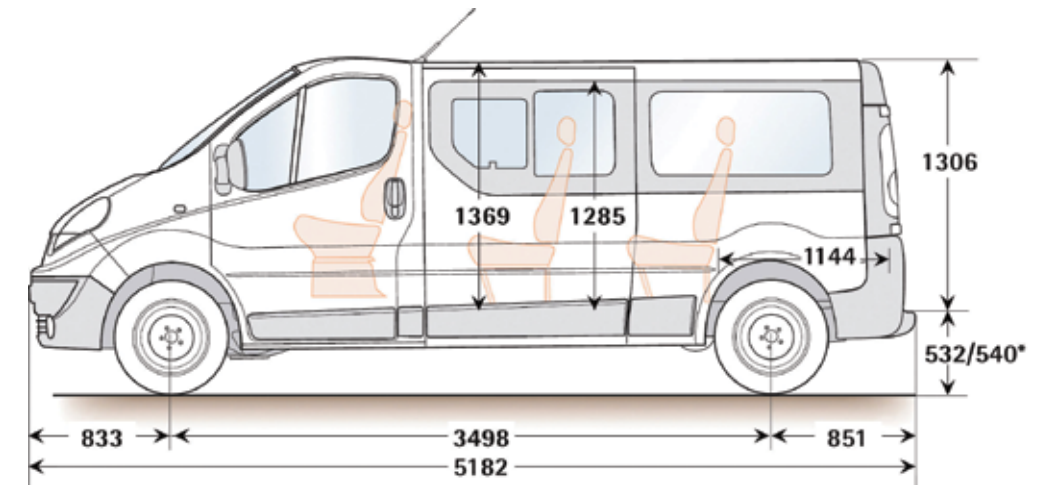
8 SEATS (OPTIONAL)



SHORT WHEELBASE LOW ROOF



LONG WHEELBASE LOW ROOF



* Depending on engines

EQUIPMENT



1

1. SLIDING SIDE DOORS

Make access to the 2nd and 3rd rows quick and easy.

2. FRONT DOOR STORAGE

Can hold a 2L bottle of water and a clipboard or diary.

3. GLOVEBOX

Big enough to hold a 1.5 L bottle, and practical, with a sunglasses holder built into the door. It is also lit and cooled (if you have air conditioning).

4. BOOT WITH LUGGAGE SUPPORTING NET

Gives 2,150L of usable volume under the roof in the long wheelbase version. The luggage supporting net protects passengers from items moving about during any sudden hard braking.



2



3



4



5

5. RECLINING SEAT BACK AND FOLDING BENCH SEAT

On the third row, the seat back can be reclined and/or folded to give a large loading area in double quick time (2,500 litres of usable space on the Passenger short wheelbase low roof version, yet still with up to 6 seats).

6. REMOVABLE BENCH SEAT

The last row of the Passenger's seats can be easily removed, freeing up to 4 m³ of usable space.



6

COMFORT

1. RADIO CD MP3 BLUETOOTH® AND AUX POINT*

Play your MP3 files, and use your hands-free kit to stay connected wherever you are.

*We recommend you pull over into a safe place before using the phone.

2. MULTI-FUNCTIONAL TUNEPPOINT

Connect your music player using the USB and iPod plugs, then operate the system through the steering wheel controls.



3. CARMINAT TOMTOM® LIVE

Calculate the best route with real time traffic information, speed camera alerts and everything clearly displayed on the large colour screen. This lets you save time and reduce fuel consumption, too. European maps are available as an option.

4. TRIP COMPUTER

Displays information such as distance covered, average speed, total and average fuel consumption, current speed and remaining fuel range.



5. ELECTRIC PACK

Front electric windows and self-defrosting electric mirrors.

6. STEERING WHEEL - LEATHER

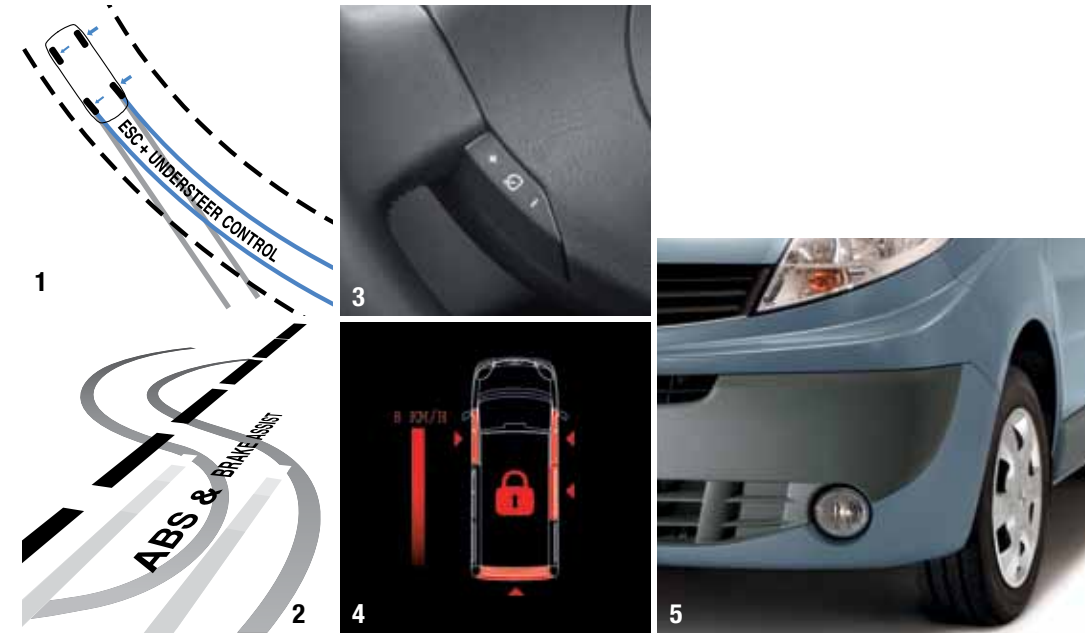
7. CLIMATE CONTROL

With electronic temperature settings and displays, quick demist and a sunshine sensor.

8. AIR CONDITIONING



SAFETY



1. ESC (ELECTRONIC STABILITY CONTROL)

With ASR traction control and engine torque control. It detects the load level to adjust its activation point and give you the best possible corrections in direction.

2. ABS WITH BRAKE ASSIST

Anti-lock braking system, with Electronic Brake Distribution (EBD) and Brake Assist.

3. SPEED LIMITER

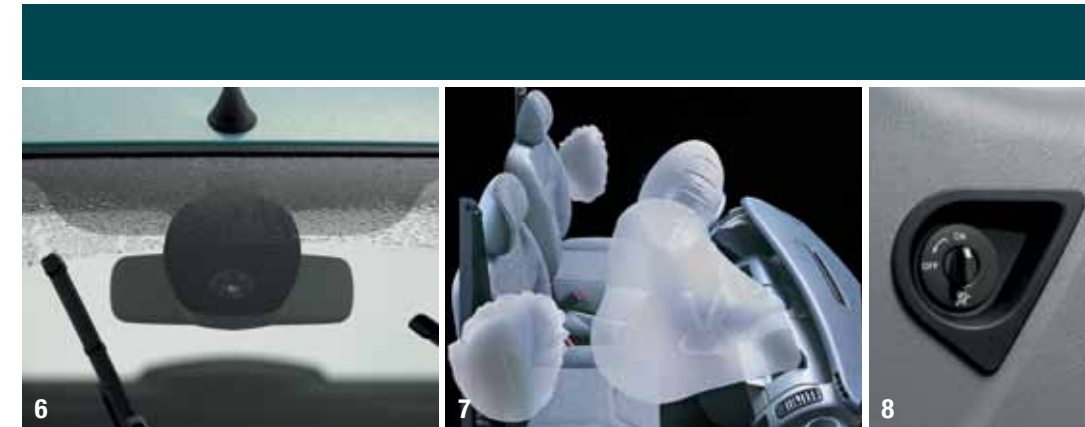
Gives the driver full control over acceleration, slowing and braking for any speed below the one that is selected. In an emergency, where instant acceleration is needed, a 'kick-down' system overrides the cruise control.

4. R.A.I.D. (RENAULT ANTI INTRUDER DEVICE)

Automatic door locking when driving - for increased safety, doors automatically lock at speeds over 5mph (8km/h).

5. FRONT FOG LIGHTS

Improve visibility in fog or heavy rain.



6. AUTOMATIC HEADLIGHTS AND WIPERS

Detects levels and automatically adjusts the strength of your headlights and windscreen wiper speed. The sensitivity can be adjusted by the driver.

7. AIRBAG SYSTEM

There are various airbags as standard or optional on the Trafic: driver airbag, passenger airbag and front curtain airbags (availability depends on version).

8. PASSENGER AIRBAG DEACTIVATION

This lets you use a child seat in the front (regulations permitting).

TRIM



UPHOLSTERY



- 1. 'Galatone' upholstery - standard on Core version
- 2. 'Elba' upholstery - optional on Standard version and Core version
- 3. 'Blue Elba' upholstery - standard on Sport version

COLOURS



NM = Non Metallic Paint MS = Metallic Supergloss Paint MI = Metallic Illusion

It should be noted that printing limitations do not permit the subtle paintwork shades on these pages to be shown with absolute accuracy. Only personal inspection of the Trafic at your Renault Dealer will reveal it in its true colours. From time to time changes are made to the colour range. Please check availability with your Renault Dealer.

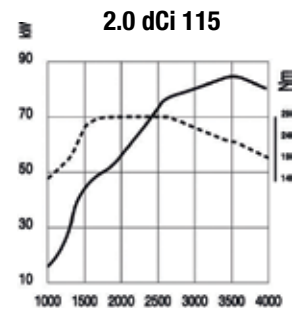
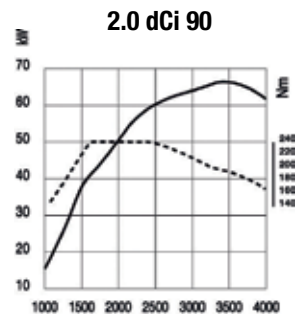
* On Sport versions, only those colours are available.

WHEELS



- 1. Large wheel stylers - standard on Core version
- 2. Alloy wheel - standard on Sport version and optional on Core version

ENGINES



2.0 dCi 90

Ideal in urban areas, it has 240 Nm (175 ft/lb) of torque.

2.0 dCi 115

With a maximum torque of 290 Nm (214 ft/lb), this delivers an excellent balance of performance and consumption. The 2.0 dCi Renault engine offers the best in diesel technology. It's environmentally friendly, quiet, smooth and lively at all speeds, while staying fuel efficient and reliable.



AUTOMATIC QUICKSHIFT SIX-SPEED GEARBOX

Whether you choose fully automatic or manual mode, its technology combines and makes the most of the best in automation, comfort and safety, while keeping all the driving qualities of a traditional clutch.

TECHNICAL SPECIFICATIONS

	6 Speed Manual Gearbox E4		6 Speed Manual Gearbox E5		6 Speed Quickshift E4	6 Speed Quickshift E5
ENGINE	(hp)	90	90	115	90	115
Engine	(hp)	90	115	90	115	115
Euro status		Euro 4	Euro 4	Euro 5	Euro 5	Euro 5
Max power	(kw)	66	84	66	84	84
Max power	(rpm)	3500	3500	3500	3500	3500
Max torque	Nm (rpm)	240 (1600)	290 (1600)	240 (1600)	290 (1600)	291 (1600)
Cylinders		4	4	4	4	4
Valves		16	16	16	16	16
Engine capacity	(cm3)	1,996	1,996	1,996	1,996	1,996
Injection type		Commonrail	Commonrail	Commonrail	Commonrail	Commonrail
Turbo type		Fixed	Fixed	Fixed	Fixed	Fixed
Fuel type		Diesel	Diesel	Diesel	Diesel	Diesel
Fuel tank capacity	(litres)		90	90	90	90
STEERING AND BRAKING				Power-assisted / reference rims 16"		
ø steering between pavements / walls	(m)			Short Wheelbase: 11.84 / 12.40 Long Wheelbase: 13.70 / 13.73		
ABS with AFU and EBD / adaptive ESC with ASR		● / ○	● / ○	● / ○	● / ○	● / ○
Front: Ventilated discs, Rear: Full discs	(ø / width (mm))	305/28 - 280/12		305/28 - 280/12		305/28 - 280/12
PERFORMANCE		mph (kph)				
Maximum speed	mph (kph)	90 (145)	99 (160)	90 (145)	99 (160)	99 (160)
VERSIONS						
SWB 9 SEAT						
SL27		●	●	●	-	-
SL29		●	●	●	●	●
LWB 9 SEAT						
LL29		●	●	●	●	●
SPORT SWB 9 SEAT						
SL27		-	●	-	●	●
SPORT LWB 9 SEAT						
LL29		-	●	-	●	●

FUEL CONSUMPTION

	Version	CO2 emissions (g/km)	Urban	Extra urban	Combined	Gross train weight	Maximum payload	Kerb weight
EURO 4								
	SL27 dCi 90	199	31.7	41.5	37.6	4755	952	1883
	SL27 dCi 115	199	31.7	41.5	37.6	4755	952	1883
SWB	SL27 dCi 115 Quickshift6	194	34.4	40.9	38.2	4770	953	1897
	SL29 dCi 90	203	30.7	41.5	36.7	4840	1027	1893
	SL29 dCi 115	203	30.7	41.5	36.7	4840	1027	1893
	SL29 dCi 115 Quickshift6	199	33.2	40.4	37.7	4850	1022	1908
LWB	LL29 dCi 90	203	30.7	41.5	36.7	4960	1086	1954
	LL29 dCi 115	203	30.7	41.5	36.7	4960	1086	1954
	LL29 dCi 115 Quickshift6	199	33.2	40.4	37.7	4970	1082	1968
SPORT SWB / LWB	SL27 dCi 115	199	31.7	41.5	37.6	4755	952	1883
	SL27 dCi 115 Quickshift6	194	34.4	40.9	38.2	4770	953	1897
	LL29 dCi 115	203	30.7	41.5	36.7	4960	1086	1954
	LL29 dCi 115 Quickshift6	199	33.2	40.4	37.7	4970	1082	1968
EURO 5								
	SL27 dCi 90	180	32.8	47.9	40.9	4810	978	1912
	SL27 dCi 115	180	32.8	47.9	40.9	4810	978	1912
SWB	SL27 dCi 115 Quickshift6	180	36.7	44.1	40.9	4810	978	1912
	SL29 dCi 90	180	32.8	47.9	40.9	4860	1028	1912
	SL29 dCi 115	180	32.8	47.9	40.9	4860	1028	1912
	SL29 dCi 115 Quickshift6	180	36.7	44.1	40.9	4860	1028	1912
LWB	LL29 dCi 90	200	30.7	42.2	37.2	4975	1148	1912
	LL29 dCi 115	200	30.7	42.2	37.2	4975	1148	1907
	LL29 dCi 115 Quickshift6	197	33.2	40.9	37.7	4975	1148	1907
SPORT SWB / LWB	SL27 dCi 115	200	30.7	42.2	37.2	4810	989	1901
	SL27 dCi 115 Quickshift6	197	33.2	40.9	37.7	4810	989	1901
	LL29 dCi 115	200	30.7	42.2	37.2	4975	1148	1907
	LL29 dCi 115 Quickshift6	197	33.2	40.9	37.7	4975	1148	1907

EQUIPMENT

CORE FEATURES

<ul style="list-style-type: none"> • 3 year / 100k mile warranty (first 2 years unlimited mileage) • 3 years AA roadside assistance • 4 brake discs • 4 x 20W Bluetooth radio CD MP3 with separate display, fingertip control and RCA connection • 6 speed gearbox • ABS with EBD (Electronic Brake Distribution) • Airbag - driver 	<ul style="list-style-type: none"> • Carminat TomTom Live satellite navigation system (UK map) • Deadlocking • Driver's seat - height adjustable • Front passenger bench seat • 'Galatone' upholstery • Insurance approved (Thatcham category 1) alarm and electronic immobiliser • Left and right side loading doors - glazed • Power assisted steering 	<ul style="list-style-type: none"> • R.A.I.D. (Renault Anti Intruder Device) • Rear glazed tailgate (heated wash / wipe) • Remote central locking with deadlocking • Second row triple bench seat • Spare wheel with anti-theft spare wheel holder • Third row triple bench seat • Tinted windows • Wheel stylers - large
SPORT CORE FEATURES (IN ADDITION TO STANDARD FEATURES)		
<ul style="list-style-type: none"> • 16" 'Ixtar' alloy wheels • Armrest - driver's side and 'Blue Elba' upholstery • Electric windows 	<ul style="list-style-type: none"> • Electrically operated and heated door mirrors • Front fog lights • Manual air conditioning and air conditioned glove box 	<ul style="list-style-type: none"> • Metallic paint with all round paint • Trip computer - multi-functional

OPTIONS

	Standard 9 Seat	Standard 9 Seat	Sport 9 Seat	Sport 9 Seat
	SWB	LWB	SWB	LWB
12V power point in load area	○	○	○	○
16" 'Ixtar' alloy wheels	○	○	●	●
4 x 20W Bluetooth radio CD MP3 and multi-functional TunePoint	○	○	○	○
Manual air conditioning ⁽¹⁾	○	○	●	●
Manual air conditioning - front and rear ^{(1) (9)}	○	○	-	-
Manual air conditioning - front and rear ^{(1) (9)}	-	-	○	○
Airbag - front passenger with airbag deactivation and Electric Pack	○	○	-	-
Airbag- front passenger with airbag deactivation and Electric Pack "one touch"	○	○	-	-
Airbags - front lateral, curtain and front passenger with airbag deactivation	-	-	○	○
Airbags - front lateral, curtain and front passenger with airbag deactivation and Electric Pack	○	○	-	-
Airbags - front lateral, curtain and front passenger with airbag deactivation and Electric Pack "one touch"	○	○	-	-
Airbags - rear, front lateral curtain, front passenger with airbag deactivation and Electric Pack	○	○	-	-
Airbags - rear, front lateral curtain, front passenger with airbag deactivation and Electric Pack "one touch"	○	○	-	-
Airbags - rear, front lateral curtain, and front passenger with airbag deactivation	-	-	○	○
Armrest - driver (with Blue Elba upholstery)	○	○	○	○
Armrest - driver (with Elba upholstery)	○	○	○	○
Automatic headlights and wipers and electric front windows (driver's side one touch descending)	-	-	○	○
Automatic headlights and wipers and front fog lights ⁽²⁾	○	○	-	-
Carminat TomTom Western Europe map upgrade	○	○	○	○
No Carminat TomTom Live satellite navigation system	○	○	○	○
Climate control - front and rear, heating additional to rear saloon area and Electric Pack "one touch" ^{(1) (9)}	○	○	-	-
Climate control - front and rear, heating additional to rear saloon area and electric front windows (driver's side one touch descending) ^{(1) (9)}	-	-	○	○
Conversion interface box ⁽²⁾	○	○	-	-
Conversion interface box and electric front windows (driver's side one touch descending)	-	-	○	○
Cruise control ^{(9) (2)}	○	○	-	-
Cruise control and electric front windows (driver's side one touch descending) ⁽⁹⁾	-	-	○	○
Delete third row passenger seats ⁽⁴⁾	○	○	○	○
Electric Pack "one touch" **	○	○	-	-
Electric Pack*	○	○	●	●

23 > 24

OPTIONS continued

	Standard 9 Seat	Standard 9 Seat	Sport 9 Seat	Sport 9 Seat
	SWB	LWB	SWB	LWB
Electric front windows (driver's side one touch descending)	-	-	○	○
Electrically operated and heated door mirrors	○	○	●	●
ESC (Electronic Stability Control) - load adaptive with understeer control ⁽²⁾	○	○	-	-
ESC (Electronic Stability Control) - load adaptive with understeer control and electric front windows (driver's side one touch descending)	-	-	○	○
Front fog lights	○	○	●	●
Heat reflecting windscreen	○	○	○	○
Heating - additional to rear saloon area	○	○	○	○
Key - 3 button with selective opening ⁽³⁾	○	○	-	-
Key - 3 button with selective opening and electric front windows (driver's side one touch descending)	-	-	○	○
Key - additional (third) and key - 3 button with selective opening ⁽²⁾	○	○	-	-
Key - additional (third) and key - 3 button with selective opening and electric front windows (driver's side one touch descending)	-	-	○	○
Luggage net	○	○	○	○
Metallic paint with all round paint, Electric Pack "one touch" and front fog lights ⁽⁹⁾	○	○	-	-
Metallic paint	○	○	●	●
Metallic paint with all round paint, Electric Pack and front fog lights ⁽⁹⁾	○	○	●	●
Metallic paint with part body coloured bumpers ⁽⁹⁾	○	○	-	-
No parcel shelf ⁽⁶⁾	○	●	○	●
Parcel shelf	●	○	●	○
Passenger seat - height adjustable single seat	○	○	○	○
Pollen filter	○	○	○	○
Power take off - engine ^{(1) (7)}	○	○	-	-
Rear parking sensors	○	○	○	○
Side loading doors - sliding left and right (glazed with integral opening windows)	○	○	○	○
Smoker Pack	○	○	○	○
Speed limiter - engine (56mph / 62mph / 68mph) ⁽⁹⁾	○	○	○	○
Steering wheel - leather and cruise control ⁽²⁾	○	○	-	-
Steering wheel - leather, cruise control and electric windows (driver's side one touch descending) ⁽³⁾	-	-	○	○
Digital tachograph ilo Carminat TomTom Live satellite navigation system and CD MP3 radio with Bluetooth ^{(2) (8)}	○	○	-	-
Digital tachograph ilo Carminat TomTom navigation system, CD MP3 radio with Bluetooth and electric front windows (driver's side one touch descending) ⁽⁸⁾	-	-	○	○
Tow bar	○	○	○	○
Trip computer - multi-functional	○	○	●	●

OPTION PACKS

Aircon + Pack ⁽¹⁾ Manual air conditioning Electric windows Electrically operated and heated door mirrors	○	○	-	-
Key Pack Additional (third) key Electric front windows (driver's side one touch descending) Electrically operated and heated door mirrors Key - 3 button with selective opening	○	○	-	-

● = Standard (therefore no cost) ○ = Optional - = Not available (1) Aircon / climate control and power take off cannot be ordered together (2) Cannot be ordered with Electric Pack / Aircon + Pack (3) Engine speed limiters and cruise control cannot be ordered together (4) Needs to be ordered with aircon / climate control on standard level SWB (5) Should be ordered with one of the following colours: 266, G64, C66, D47 or D31 (non metallic therefore £330 less) (6) Needs to be ordered with delete third row seat option and aircon / climate control (if standard level) (7) Not available on Quickshift versions (8) Digital tachograph will come with 2 x 20W radio CD MP3 with separate display, fingertip control and RCA connection, therefore clock/temperature will not be displayed (9) Needs to be ordered with parcel shelf on LWB versions *Electric Pack = electric front windows and electrically operated and heated door mirrors **Electric Pack 'one touch' = electric front windows (driver's side one touch descending) and electrically operated and heated door mirrors) *** Front three seats only

ACCESSORIES

TOURING

1. ROOF RACK

This top quality roof rack is precision engineered, easily installed, and modular for heavier loads. The maximum load is 130kg, and it's fitted with a rear roller to facilitate loading.

2. INTEGRATED ROOF BARS

Carry up to 150kg (3 bars) with our integrated roof bars. Easily fitted, these steel bars have been intensively tested to guarantee performance and resistance to corrosion.

3. LADDER AND PROTECTIVE GRILLES

The ladder attaches to the rear door of your Traffic. It helps when loading the roof rack, and carries a maximum load of 100kg. The window grilles give protection against break-ins through the rear doors.

TOW BAR

4. STANDARD BALL

5. UNIVERSAL COUPLING

6. 'PINTLE HOOK' WITH BALL

Choosing a towbar naturally involves making decisions about quality and safety. Renault goes above and beyond even the strictest European standards (CE 94/20). But, thanks to further testing, Renault have also made sure that your vehicle won't be damaged, even with intensive commercial towbar use. Finally, Renault also take the most demanding climatic conditions into account by applying an anti-corrosion surface treatment. A range of different tow balls and hitches are also available.



SPORT AND DESIGN

7. LEATHER UPHOLSTERY

Add a touch of luxury and make your Traffic undeniably yours with this premium quality leather upholstery.

PROTECTION AND COMFORT

8. NOVESTRA RUBBER MATS

Since they're waterproof, they can conveniently be hosed clean. They also protect your vehicle's floor from wear, mud and moisture. Hard wearing and practical, they are made to measure for your vehicle.

9. INTEGRATED BLUETOOTH KIT

An advanced, integrated, hands free mobile phone communication system, designed to integrate perfectly into your Traffic and achieve a factory fitted appearance.

10. FIRE EXTINGUISHER

Genuine Renault 1kg powder fire extinguisher.

11. SEAT COVERS

To protect the upholstery of your Traffic Passenger vehicle, choose the Heavy Duty cover specifically designed for heavy use.

RENAULT PRO+ A SIGN OF SERVICE

A forerunner in service since the creation of Renault Business Centres in 1999, of which there are now more than 700 outlets in 20 countries, today Renault reinforces its services for professionals and commercial vehicle customers with the introduction of “RENAULT PRO+”.

For more information, visit www.renault.co.uk/pro+



At Renault, we understand that your vehicles are your most important work tool and so the RENAULT PRO+ network is guided by three main principles:

01

The expertise of your advisor who has an extensive understanding of your trade

At Renault Pro+ you are dealing with professionals: all of our employees are trained with your professional needs in mind. With their knowledge of commercial vehicles and fleet business, they are able to take care of your operational needs and create mobility solutions tailor made for you.



02

A “One Stop Shop” where all your service needs are taken care of to guarantee your mobility

Because you need to save time, all Renault services have been relocated to a bespoke centre, providing new and used vehicle sales, after sales, finance, service and maintenance.



03

The RENAULT PRO+ business customer promise

In order to optimise your commercial vehicle investments and to guarantee the continuity of your business, Renault Pro+ promises to offer you...

- Specialist commercial vehicles sales and after sales advisors.
- A comprehensive display of cars and commercial vehicles, including converted vehicles.
 - A large choice of cars and commercial vehicle available for test drives.
 - A personalised finance proposal in under 48 hours.
 - Extended Service hours for business users.
 - A detailed invoice and an estimation of work time for all repair work.
 - A courtesy vehicle, most applicable to your needs.
 - Maintenance and repair work up to 7 tonnes.
 - Within the hour diagnostics.
 - A maximum 48 hours lead time for service and repair.



WHO BETTER THAN RENAULT TO SERVICE YOUR RENAULT?

Your new Renault is covered by a 3-year warranty package - the first 2 years of unlimited mileage Renault manufacturer warranty, followed by a further year of cover up to 100,000 miles. Paintwork is also guaranteed for 3 years while the anticorrosion warranty runs for 12 years (Master anticorrosion warranty runs for 6 years). In addition, the Renault Assistance plan (via the AA) ensures prompt help in the UK and Northern Ireland for manufacturer defects for 36 months. For full details please refer to the Renault warranty terms and conditions, available from your Renault Dealer or from www.renault.co.uk.

FINANCE OPTIONS

There are a wide variety of ways in which the purchase of a new car can be financed. Renault Finance offers all of them, so whether you're a fleet buyer or a private buyer, Renault Finance is ideally placed to tell you which plan or combination of plans best suits your needs and circumstances.

SERVICE INTERVALS

12,600 miles / 2 years:

- Kangoo Van dCi 70/85 (Euro 4)

18,000 miles / 2 years:

- Kangoo Van dCi 105 (Euro 4)
- Kangoo Van dCi 75/90/110 (Euro 5)
- Kangoo Van P110 Auto (Euro5)

18,000 miles / 1 year:

- Kangoo Van P105 Auto (Euro 4)

20,000 miles / 2 years:

- Traffic all engines (Euro 4)

25,000 miles / 2 years:

- New Master all engines (Euro 5)
- Traffic all engines (Euro 5)
- Kangoo Van ZE – plus a first service check at 12,500 miles/1 year

ENGINES WITH OIL CONTROL SYSTEM (OCS)

- All DIESEL engines
- Kangoo Van P110 Auto (Euro 5)

OCS monitors driving conditions that directly affect the quality of your engine oil, protecting your engine from excessive wear and possible bearing failure. Under certain conditions; low speeds, heavy traffic, door-to-door deliveries (engine turning with little distance travelled) or in high gear for long periods; sport driving, towing a caravan/trailer over 500kg (engine turning at higher revolutions), the vehicle's service interval may be shortened and you will be alerted, via the instrument panel service indicator, that a Renault Service is required earlier (refer to driver's handbook for details).

EXTENDING YOUR WARRANTIES AND COVER

Renault Extended Warranty allows you to extend your Renault Warranty for an additional year up to 4 years/100,00 miles, whichever is sooner.

Renault Assistance Added Cover provides you with additional cover for incidents not covered by Renault Assistance: incorrect (or lack of) fuel, keys lost, stolen or locked inside the vehicle and incidents involving caravans or trailers.

For full information on these products please ask your Renault Dealer or log on to www.renault.co.uk and click on 'Owner Services', where you can also buy securely online.

SERVICE PLANS

Renault Service Plans are available on new and used vehicles# and allow you to budget for your vehicle's servicing with convenient payment options and inflation proof pricing. For more information please ask your Renault Dealer or log on to www.renault.co.uk and click on 'Owner Services'.

participating dealers only

RENAULT NETWORK SERVICES

No-one is better placed than Renault to maintain, fit and repair your Renault, fast. The Renault Minute (maintenance and repair with no appointment necessary) and Renault Rapide Bodycare (bumper scuffs, dings and dents, windscreen, stone chips and interior repairs...) services deliver the highest level of repair and maintenance and offer a full year's guarantee on Original Renault Parts. And don't forget to have a look at our wide range of additional equipment and accessories!

RENAULT VAN INSURANCE

Not just a solution, *the* solution.

A van as well designed as your Renault deserves an insurance policy to match. Renault Van Insurance has been specifically created to provide superb protection for you and your van. In addition to a very competitive premium, Renault Van Insurance also includes: Your van returned to its pre-accident condition; a like for like replacement if written off in first 12 months of registration; signage cover included in your premium; windscreen cover; repairs carried out by Renault Approved Repair Centres using only genuine Renault Parts.

Renault Van Insurance offers unbeatable protection, only fitting genuine Renault replacement parts at Renault Approved Accident Repair Centres to preserve the safety found in all our vehicles.

RENAULT VAN INSURANCE

Call

0845 603 8258

for a quote and instant cover or visit

www.renaultvaninsurance.co.uk

Lines open 8am – 8pm weekdays, 9am – 5pm Saturdays and 10am – 3pm Sundays. Calls may be recorded. All quotes are based on individual circumstances and are subject to insurers underwriting criteria. Renault Insurance is arranged and administered by Equity Direct Broking Limited, which is authorised and regulated by the Financial Services Authority.

Registered Office: Library House, New Road, Brentwood, Essex, CM14 4GD. Registered in England & Wales No. 6710272.

CUSTOMER RELATIONS

Renault knows the value of communicating with its customers and we have established effective ways to keep in touch with you. If after speaking to your local Renault dealership you are not completely satisfied, please contact the Renault UK Customer Relations Department on **08000 72 33 72** (Mon-Fri 9.00am-5.30pm, except Weds 10.00am-5.30pm. Closed on Bank Holidays).

You can also visit our website www.renault.co.uk Or write to us at:

Renault UK Ltd, The Rivers Office Park, Denham Way, Maple Cross, Rickmansworth, Hertfordshire, WD3 9YS.